

GPS Vehicle Tracker using Google Earth with Remote Listening (Model: AVL-900)

 Tracking via Mobile Phone is now possible

Price: RM2,150 (Price Reduced, effective January 1, 2009)

Special Features

- [Hardware] - Gopass AVL-900
 - SiRF Star III GPS module
 - Quad band (850/900/1800/1900 MHz) GSM, SMS & GPRS
 - Sound monitoring & track your vehicle asset all the time
 - Geo-fence for car's security & management
 - Report car's position at the preset time interval
 - Compact size, metal housing for harsh environment
 - Good for both DIY and call center based tracking



- [Software] - GooTrac Tracking Software

A DIY tracking software for you to set up a mini Fleet Management System at office or home for tracking up to 20 vehicles over Google Earth.

(version for tracking 50/ 100/ 500/ 1000 vehicles also available)



- To Track **live movement** of Vehicle **WLJ9288**, please **download instructions** from either 1 of the following documents: www.leading.com.my/GS.doc or www.leading.com.my/GS.pdf
- Sample Tracks ... www.leading.com.my/misc/GPS-Tracks.htm
- **Street names** added... The **NEW Google Earth 2008** is cool... [<click here1>](#) and [<click here2>](#) to see



[Live & Real-time Tracking in Google Earth]



- **GPS Position Tracking Function**

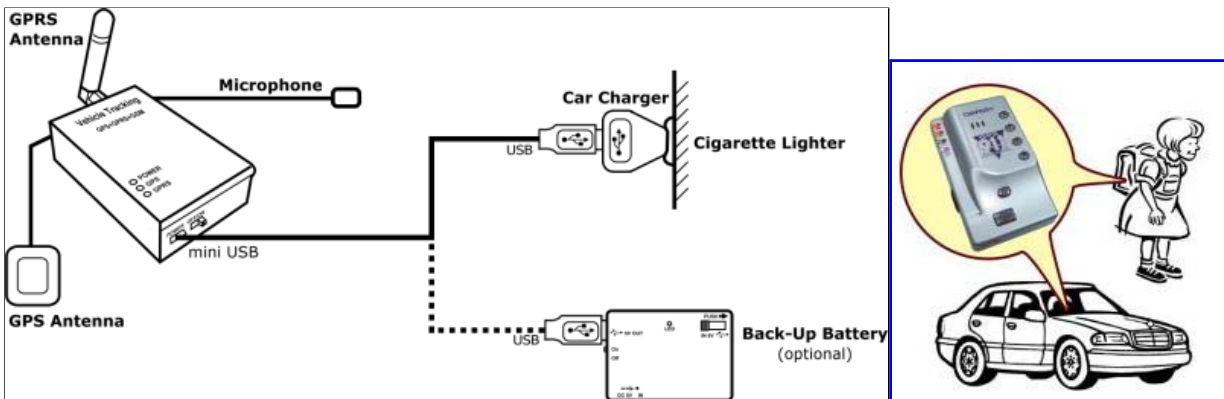
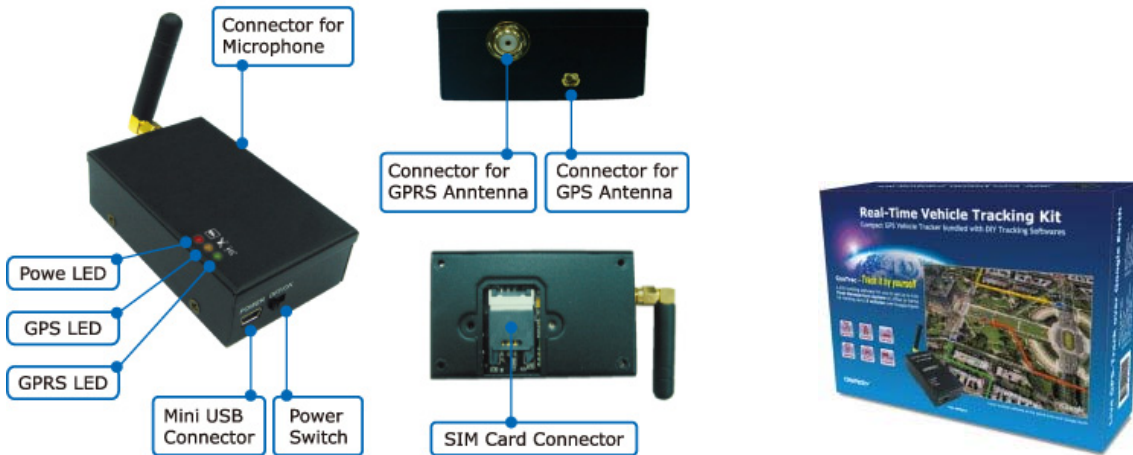
With this function, the authorized person – the one who knows the password of the tracker, can know the geographic coordinates, location, speed, direction, and other related information of the car anytime in any place. The report methods can be via SMS short message service, or via GPRS. You can also select a one time report or continuous report (tracking function).

- **Voice Monitoring Function**

You can monitor the situation inside the vehicle remotely from mobile phone by sending a SMS command to this device, without interfering the persons in the car. With this real-time surveillance function, you can monitor the situation of your loved one and/or your car, live & real-time.

- **Geo-fence (Park) Function**

When park your car or leave your valuable asset at a certain place, you can activate “Park” (Geo-fence) function to guard it. The unit will send a SMS message to the preset phone number, when someone moves the car or the asset without permission over a preset distance. The accuracy of GPS positioning is liable to be affected by time, weather, and other environmental factors. It is suggested to set the geo-fence range over 200 meters.



NOTE: Also Available, **pocket-sized GPS Personal Tracker with built-in rechargeable battery**, please [<click here>](#)

AVL-900(R) Hardware Specifications	
Dimensions	79.0 x 48.0 x 24.0 (mm)
Bandwidth	EGSM900: TX880-915MHz, RX 925-960MHz DCS1800: TX 1710-1785MHz, RX 1805-1880MHz GSM850: TX824-849MHz, RX 869-894MHz GSM1900: TX1850-1910MHz, RX 1930-1990MHz
Maximum RF Output Power	EGSM900, GSM850: 33 dBm(2W) GSM1800, GSM1900: 30 dBm(1W)
Resistance	50Ω
Transmission Speed	Circuit switched 4.8/9.6 kbps
GPS Module	SiRF Star III
Frequency	L1, 1575.42MHZ
Channels	20
Position Accuracy	10 meters CEP without SA
Speed Accuracy	0.1 meters/second, without SA
Coordinate System	WGS-84
Hot Start	< 8 Seconds
Warm Start	< 38 Seconds
Cold Start	< 60 Seconds
Height	18000 meters (60000 feet) max.
Speed	515 meters / second (1000 knots) max.
Acceleration	4g max.
Working Voltage	5 to 24 VDC
Power Consumption in stand-by mode	0.8W
Power Consumption in working mode	1.5~2W
Housing	Metal
Operation Temperature	-20°C to +70°C
Storage Temperature	-30°C to +80°C
Humidity	0~95%, non-condensing

Leading Distribution (M) Sdn Bhd

10A, Jalan PJS9/2, Bandar Sunway, Petaling Jaya, 46150, Selangor, Malaysia.

Tel: (03) 5631-5628, (017) 888-9932

Fax: (03) 5631-5633.

Website: www.leading.com.my

E-Mail: benlim@leading.com.my

▶▶▶ <click here> to RETURN to www.leading.com.my

To Print This Webpage [<click here>](#)